

Thermal Imaging Bullet Camera

FC460A



Product Feature

- With the latest 12 μ m thermal imaging detector and advanced image algorithm, it can make farther and clearer images.
- Support intelligent fire detection.
- Support smart event analysis such as tripwire intrusion and area intrusion, and multiple linkage alarms.
- Integrated body design, IP66 protection rating.
- Support DC12V or PoE.
- ONVIF compatible, provide SDK, NVR and software.

Product Specifications

Technical Specifications		Thermal Imaging Bullet Camera		
Thermal	Detector Type	VOx, uncooled FPA detectors		
	Spectral Range	8~14μm		
	NETD	≤40mK(@25°C,F#1.0,50Hz)		
	Max. Resolution	640×512		
	Pixel Pitch	12μm		
	Focal Length	35mm	55mm	75mm
	Focus Type	Athermal fixed focus		
	FOV	12.5°×10°	8.0°×6.4°	5.9°×4.7°
	F#	1.0	1.0	1.0
	Palette	20 palettes available such as Whitehot/Blackhot/Rainbow.		
Network Functions	Network Protocol	IPv4,HTTP,HTTPS,QoS,FTP,SMTP,UPnP,SNMP,DNS,DDNS,NTP,RTSP,RTCP,RTP,TCP,UDP,IGMP,ICMP,DHCP		
	Interoperability	ONVIF, SDK		
	Number of Videos Previewed Simultaneously	Support up to 20 channels		
	User Management	Up to 20 users, two levels: administrator and user		
	Browser	IE, Chrome		
Video parameters	Max. Resolution	1280×1024		
	Image Format	JPEG		
	Audio Compression Standard	AAC/MPEG2-Layer2		
	Video Compression Standard	H.264/H.265		
	Main stream	25fps(1280×1024,1024×768)		
	Sub stream	25fps(640×512)		
Smart Functions	Fire Warning	Support fire detection		
	Smart Video	Alarm trigger recording, disconnection trigger recording		
	Smart Alarming	Support triggering alarm and linkage alarm of network disconnection, IP address conflict, SD card error, illegal access and burn alarm		

Technical Specifications		Thermal Imaging Bullet Camera
	Smart Detecting	Support event analysis functions such as area intrusion, tripwire intrusion, etc.
	Voice Intercom	Support two-way voice intercom
	Linkage Alarm	Video/snapshot/mail/ alarm output
System Interfaces	Power Interface	DC 12V±10%
	Communication Interface	1 RJ45 10M / 100M self-adaptive Ethernet port
	Audio Interface	1 channel audio input, 1 channel audio output
	Storage Interface	Micro SD memory (maximum 256G)
	RS485	1 channel RS485
	Video	1 channel analog video
General Specifications	Operating Temperature & Humidity	-40℃~+60℃; <95%RH
	Protection grade	IP66
	Power consumption	≤4W
	Dimension(mm)	334.7×121.5×104.4mm
	Weight	≤1.5kg

Effective Range

The recommended distance of detection, recognition and identification for human (1.8×0.5m) and vehicles (1.4×4.0m) are as follows:

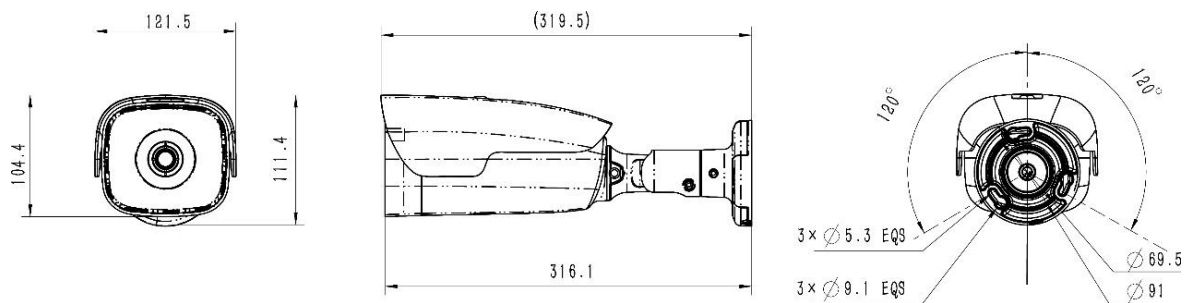
- DD stands for Detection Distance;
- RD stands for Recognition Distance;
- ID stands for Identification Distance;

Equipped Lens	DD (vehicle)	DD (human)	RD (vehicle)	RD (human)	ID (vehicle)	ID (human)
35mm	4472m	1458m	1118m	365m	559m	182m
55mm	7028m	2291m	1757m	574m	878m	286m
75mm	9583m	3125m	2396m	782m	1198m	391m

Effective Range for Intelligent Analysis

Equipped Lens	Target Recognition Distance (human)	Target Recognition Distance (vehicle)	Temperature Measurement (Target size:2mx2m)	Temperature Measurement (Target size:1mx1m)	Fire Detection (Target size:2mx2m)	Fire Detection (Target size:1mx1m)
35mm	365m	1118m	972m	486m	3889m	1944m
55mm	574m	1757m	1528m	764m	6111m	3056m
75mm	782m	2396m	2083m	1042m	8333m	4167m

Structural Drawings



This datasheet is subject to change without prior notice. Please contact us to get the latest datasheet.